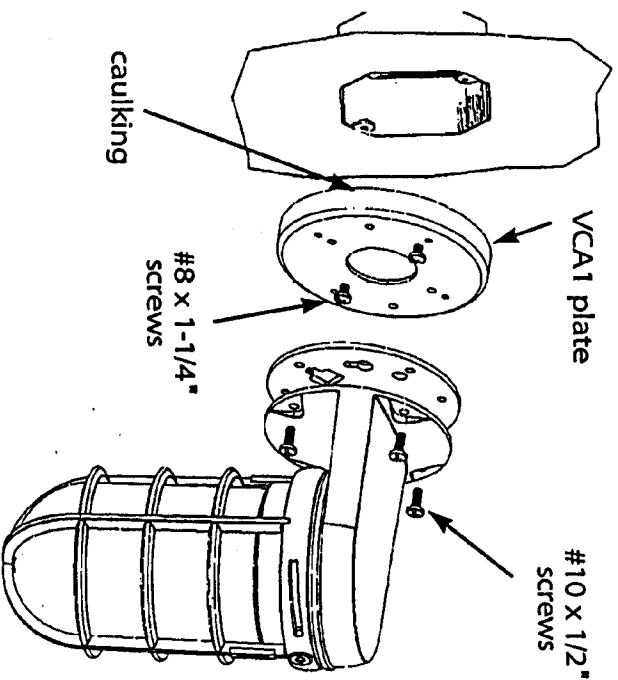
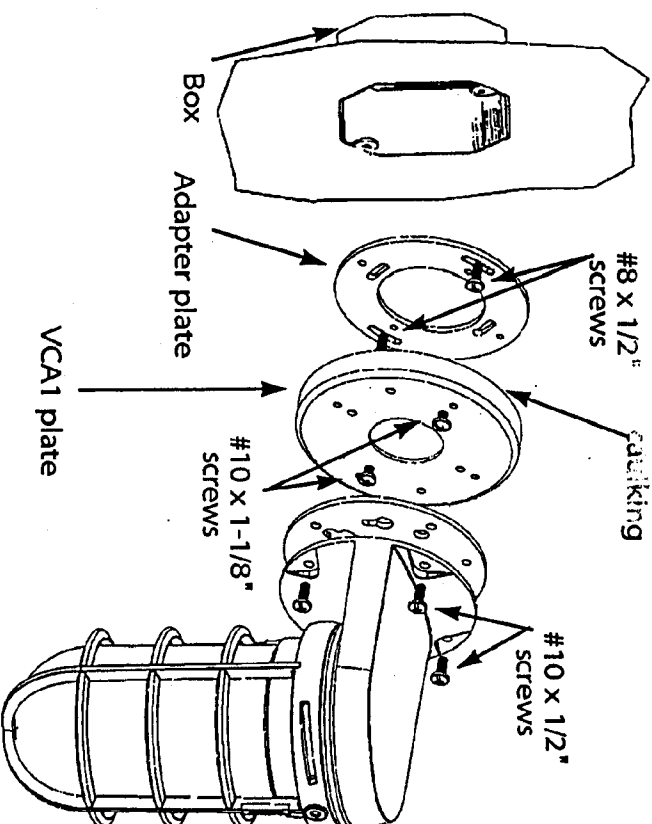


To install a roughlylyte™ vaportight with wall bracket to a 3 1/2" box:



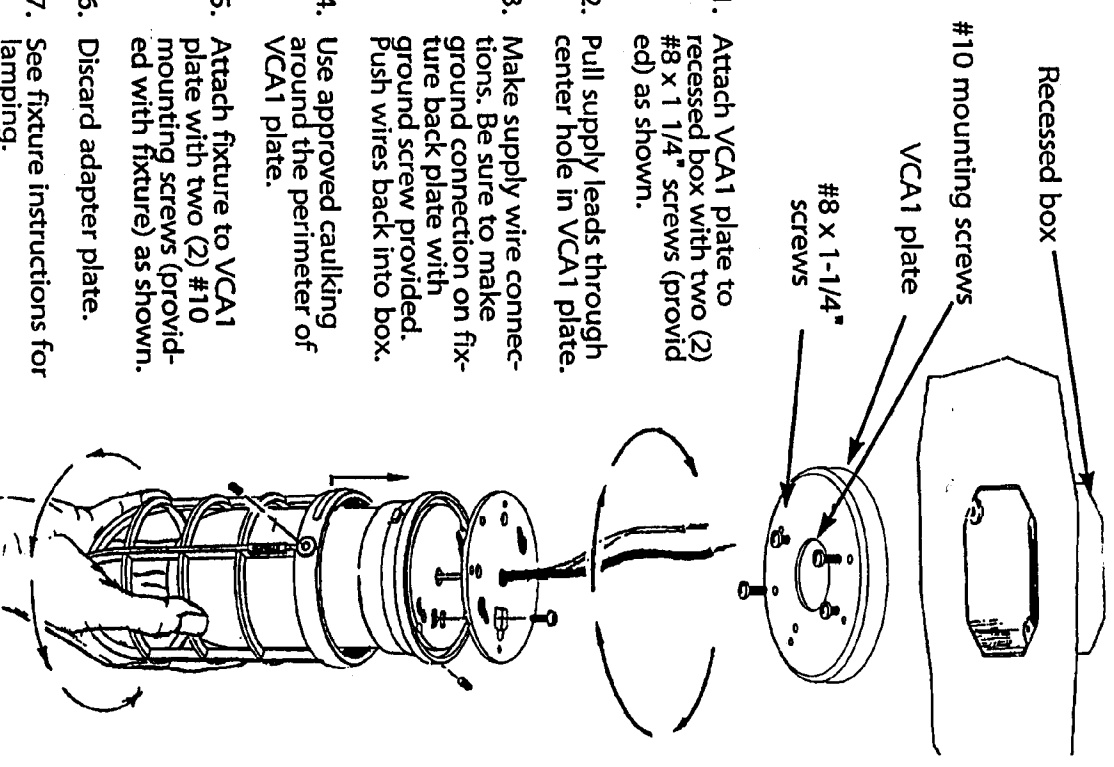
1. Attach VCA1 plate to box with two (2) #8 x 1-1/4" screws (provided) as shown.
2. Pull supply leads through center hole in VCA1 plate.
3. Make supply wire connections. Be sure to make ground connection on fixture back plate with ground screw provided. Push wires back into box.
4. Use approved caulking around the perimeter of VCA1 plate.
5. Attach wall bracket (fixture) to VCA1 plate with four (4) #10 mounting screws (provided with fixture) as shown.
6. Discard adapter plate.
7. See fixture instructions for lampping.

To install a roughlylyte™ vaportight with wall bracket to a 4" box:



1. Attach adapter plate to box with two (2) #8 x 1/2" screws (provided) as shown.
2. Attach VCA1 plate to adapter plate with two (2) #10 x 1-1/8" screws (provided) as shown.
3. Pull supply leads through center hole in VCA1 plate.
4. Make supply wire connections. Be sure to make ground connection on fixture back plate with ground screw provided. Push wires back into box.
5. Use approved caulking around the perimeter of VCA1 plate.
6. Attach wall bracket (fixture) to VCA1 plate with four (4) #10 mounting screws (provided with fixture) as shown.
7. See fixture instructions for lampping.

To install a PL/HID roughlylyte™ vaportight to a recessed ceiling box:



1. Attach VCA1 plate to recessed box with two (2) #8 x 1 1/4" screws (provided) as shown.
2. Pull supply leads through center hole in VCA1 plate.
3. Make supply wire connections. Be sure to make ground connection on fixture back plate with ground screw provided. Push wires back into box.
4. Use approved caulking around the perimeter of VCA1 plate.
5. Attach fixture to VCA1 plate with two (2) #10 mounting screws (provided with fixture) as shown.
6. Discard adapter plate.
7. See fixture instructions for lampping.



UN-59-01630-000
PO Box 129, Union, NJ 07083 TEL (908) 964-7000